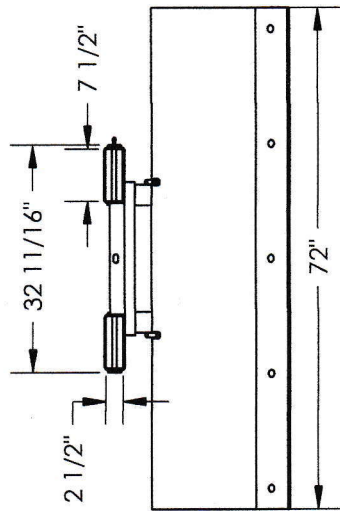
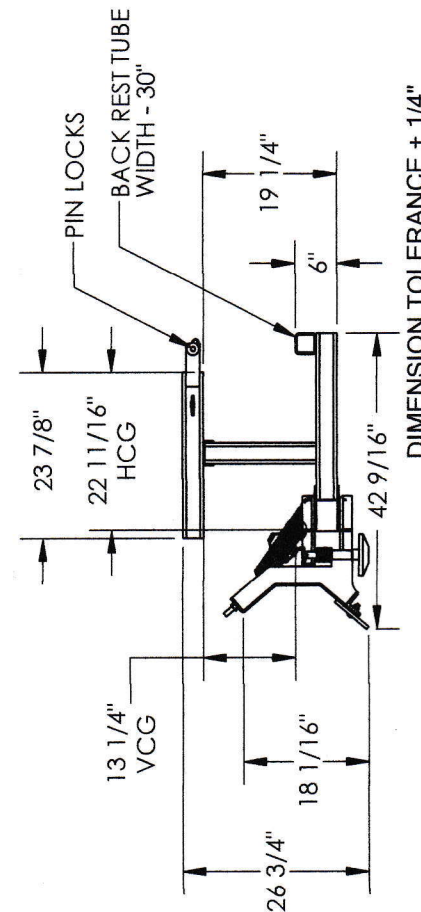
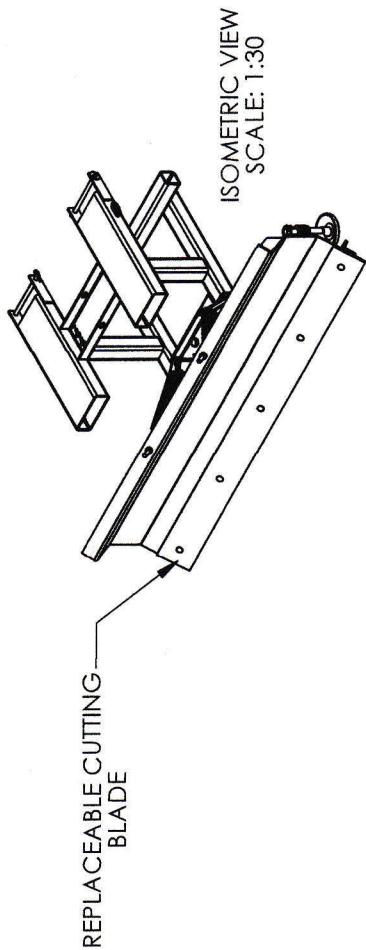
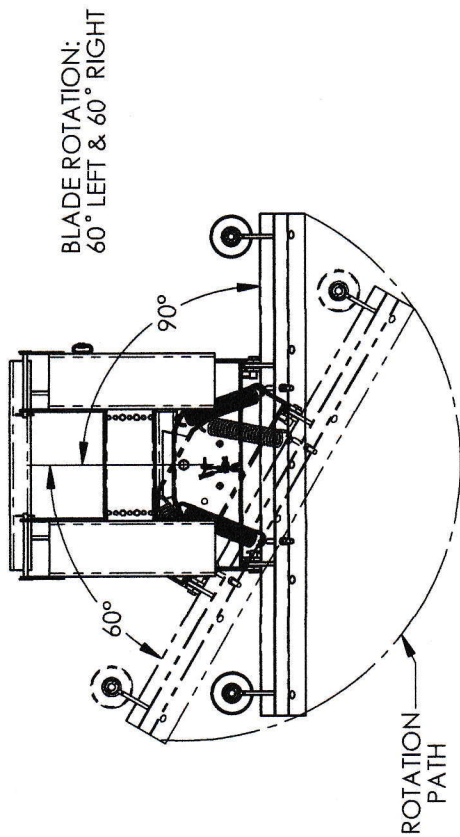


APPROX WEIGHT: 529.80 lbs.  
DOES NOT INCLUDE WEIGHT OF POWER OR PACKAGING!!!

\*\*\* ANY ADDITIONS, DELETIONS, OR OMISSIONS MUST BE CORRECTED ON THIS DRAWING AS THIS DRAWING WILL BE CONSIDERED ALL INCLUSIVE \*\*\*  
ALL GRAPHICS PROVIDED ARE FOR REFERENCE ONLY. IF CERTAIN DIMENSIONS ARE CRITICAL PLEASE VERIFY THOSE DIMENSIONS WITH YOUR SALESPERSON



**STANDARD FEATURES**

- MODEL NUMBER IS SPB-N-72
- OVERALL WIDTH: 72"
- OVERALL LENGTH: 42 9/16"
- OVERALL HEIGHT: 26 3/4"
- USABLE FORK POCKETS: 2 1/2" X 7 1/2"
- SNOW BLADE WIDTH: 72"
- TOTAL BLADE ROTATION: 60° EACH SIDE

NEVER EXCEED LOAD CENTER RATING PER FORK TRUCK MANUFACTURER'S GUIDELINES.  
DO NOT USE THIS FORK TRUCK ATTACHMENT IF LOAD WILL EXCEED FORK TRUCK MANUFACTURER'S LOAD CENTER RATING.

**A P P R O V A L**

I, THE UNDERSIGNED, AGREE THAT THE PRODUCT AS REPRESENTED SATISFIES DESIGN AND DIMENSION REQUIREMENTS. I ALSO ACKNOWLEDGE MY DUTY TO CONFIRM PRODUCT AND INSTALLATION COMPLIANCE WITH ALL APPLICABLE FEDERAL, STATE AND LOCAL REGULATIONS AND STANDARDS.

**ALL SPECIAL UNITS ARE NON-RETURNABLE**  
[ ] As drawn [ ] As marked

Signed: \_\_\_\_\_ Date: \_\_\_\_\_  
LEAD TIME WILL START UPON RECEIPT OF SIGNED APPROVAL DRAWING

A Plus Warehouse  
WWW.APLUSWHS.COM  
800-209-8798

Snow Plows - can be found under fork lift attachments on the website