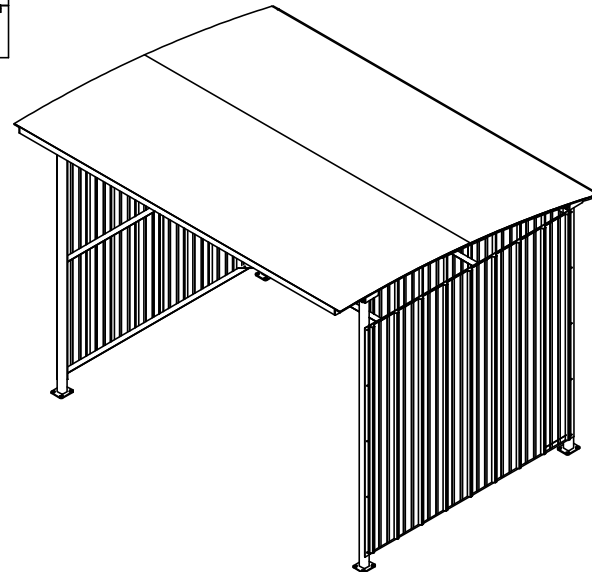
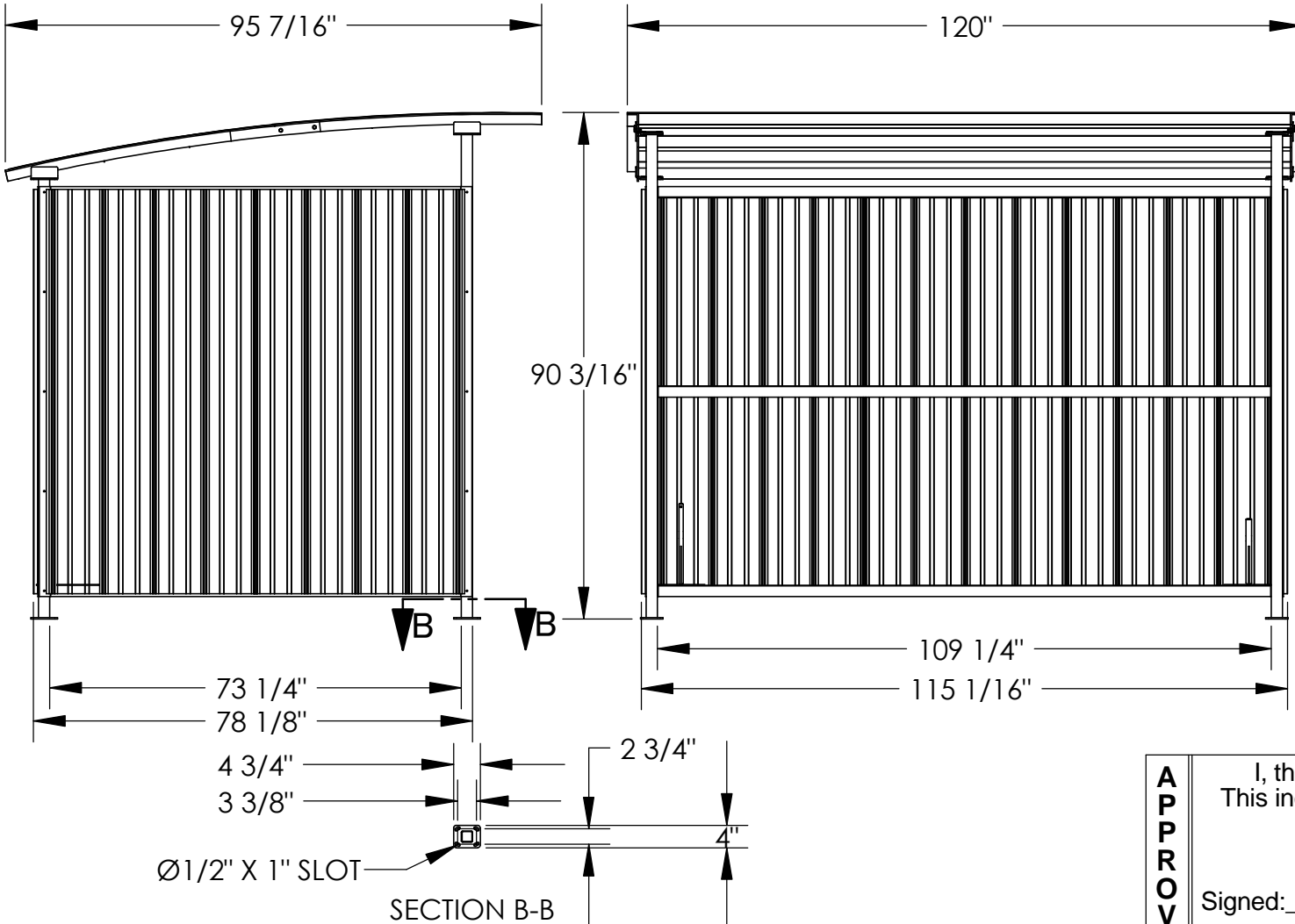


# MULTI-DUTY STORAGE BUILDING - MDS-96-BK

APPROXIMATE WEIGHT IS: 675.28 lbs.

\*\*\* ANY ADDITIONS, DELETIONS, OR OMISSIONS MUST BE CORRECTED ON THIS DRAWING AS THIS DRAWING WILL BE CONSIDERED ALL INCLUSIVE \*\*\*  
 ALL GRAPHICS PROVIDED ARE FOR REFERENCE ONLY. IF CERTAIN DIMENSIONS ARE CRITICAL PLEASE VERIFY THOSE DIMENSIONS WITH YOUR SALESPERSON



3D VIEW SHOWN FOR REFERENCE ONLY

## STANDARD FEATURES

- MODEL NUMBER IS MDS-96-BK
- OVERALL WIDTH IS 95 7/16"
- USABLE WIDTH IS 73 1/4"
- OVERALL LENGTH IS 120"
- USABLE LENGTH IS 109 1/4"
- OVERALL HEIGHT IS 90 3/16"
- INCLUDES STEEL RAKE (NOT SHOWN)

## SPECIAL FEATURES

NONE

ALL SPECIAL UNITS ARE NON-RETURNABLE

<b>A P P R O V A L</b>	I, the undersigned, hereby approve this print. This includes my approval of design & dimensions	
	<input type="checkbox"/> As drawn	<input type="checkbox"/> As marked
	Signed: _____ Date: _____	
	LEAD TIME WILL START UPON RECEIPT OF SIGNED APPROVAL DRAWING	

DISTRIBUTOR'S NAME: <b>VESTIL MANUFACTURING</b>		P.O.# X
DRAWN BY: ND	DATE: 4/17/08	W.O.# X
REFERENCE: X	QUOTE # X	SALES: X
		FILE NAME: 41-007-010

SCALE: 1:30