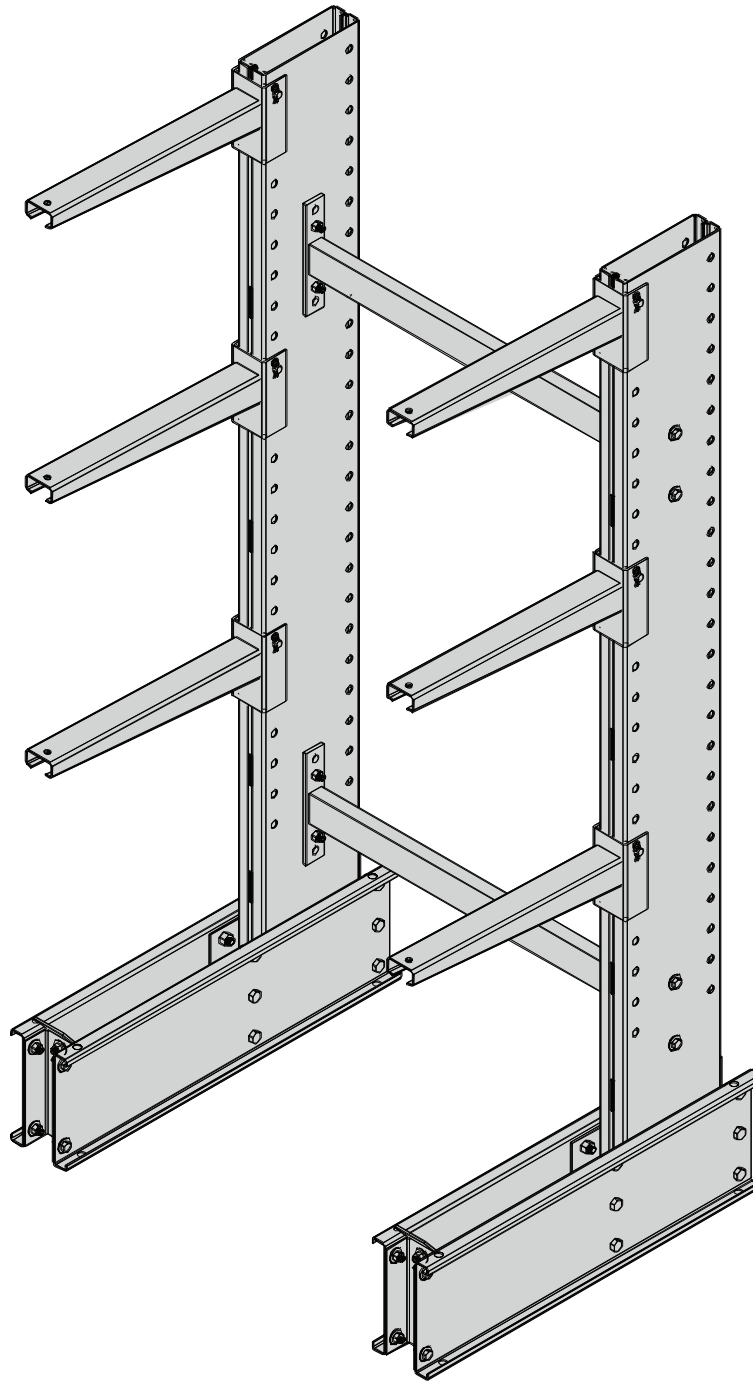




OMAHA

Instructions For Assembling MECO OMAHA
SERIES 2000 MEDIUM - HEAVY DUTY CANTILEVER RACK



MODERN EQUIPMENT COMPANY

6161 ABBOTT DRIVE, OMAHA, NE 68110

www.meco-omaha.com

1-800-228-7334



IMPORTANT!

Review this entire booklet thoroughly before proceeding with assembly of rack

This rack system should be professionally installed by individuals familiar with this type of structure. Any modification to the rack during or after its assembly may affect the rack's structural integrity.

General Assembly Procedure

1. Snap a chalk line on the floor to show where the front of the rack will be.
2. With the bolts finger tight assemble the first and second uprights to the bases and assemble the bracing in between uprights. Tighten all bolts in the first upright as described below making sure the upright is square with the base. Assemble the next upright finger tight and tighten the previous upright. Continue in this manner for each succeeding upright until the entire rack is assembled.
3. If floor is not level, place shims under the base until upright is vertical.
4. Tighten all bolts within a given connection to a snug-tight condition. Snug-tight is defined as the tightness that exists when the plies of the joint are in firm contact. This may be attained by a few impacts of an impact wrench or the full effort of a man using an ordinary spud wrench. Repeat this process for all connections in the rack.
5. Bases must be anchored to the floor. A minimum of two 1/2" x 4-1/4" anchors per base one at each end are required.

Maintenance

1. Inspect all bolted connections at least once each year and tighten any loose bolts using the procedure described above.
2. Should any rack component become damaged by either misuse or accident, the component must be replaced immediately.

Usage

1. Wherever possible, store the heaviest loads on the base or lowest level(s).
2. All loads shall be positioned as close to the upright as possible and centered left/right across the rack.
3. Do not slide loads onto or off of the rack.
4. Do not drop loads onto the rack.

HARDWARE KITS

HK18

(5) each Medium Duty Pin & Keeper

HK21 (2U8, 2U16-2U20 Uprights)

(4) each 1/2-13 X 4 1/2 Bolt
 (4) each 1/2-13 Nut
 (4) each 1/2 Flat Washer

HK40

(10) each 3/8-16 X 1 Bolt
 (10) each 3/8-16 Lock Nut

HK47

(6) each 3/8-16 X 1 Carriage Bolt
 (6) each 3/8 Flat SAE Washer
 (6) each 3/8-16 Nut

HK48

(5) each 1/2-13 X 1 1/4 Bolt
 (5) each 1/2-13 Nut
 (5) each 1/2 Flat SAE Washer

HK49 (2U10-2U14 Uprights)

(6) each 1/2-13 X 4 1/2 Bolt
 (6) each 1/2-13 Nut
 (6) each 1/2 Flat Washer

HK52

(12) each 3/8-11 X 1 1/4 Bolt
 (12) each 3/8-11 Nut
 (12) each 3/8 Lock Washer



INSTRUCTIONS FOR ASSEMBLING MECO OMAHA
SERIES 2000 MEDIUM - HEAVY DUTY CANTILEVER RACKS

DO NOT SUBSTITUTE HARDWARE
TIGHTEN FINGER TIGHT ONLY AT THIS STEP

Refer to *DIAGRAM A* for a single sided rack and *DIAGRAM B* for a double sided rack.

- 1.) Attach one of the base channels to the upright. Attach upright to base with $\frac{5}{8}$ x $1\frac{1}{4}$ bolts, hex nuts and lock washers. Bolts are required in all holes.

- 2.) Attach the base end to the front of the base channel using (2) $\frac{1}{2}$ x $1\frac{1}{4}$ bolts, hex nuts, and (4) $\frac{1}{2}$ flat washers. For double sided bases attach another base end to the opposite end of the base channel using (2) $\frac{1}{2}$ x $1\frac{1}{4}$ bolts, hex nuts and (4) $\frac{1}{2}$ flat washers.

- 3.) Attach the other base channel to the other side of the upright using $\frac{5}{8}$ x $1\frac{1}{4}$ bolts, hex nuts and lock washers. Attach this base channel to the base end(s) using (2) $\frac{1}{2}$ x $1\frac{1}{4}$ bolts, hex nuts and (4) $\frac{1}{2}$ flat washers per base end.

- 4.) If base lips are supplied, they should be attached at this time using one $\frac{1}{2}$ x $1\frac{1}{4}$ bolt and hex nut per base lip.

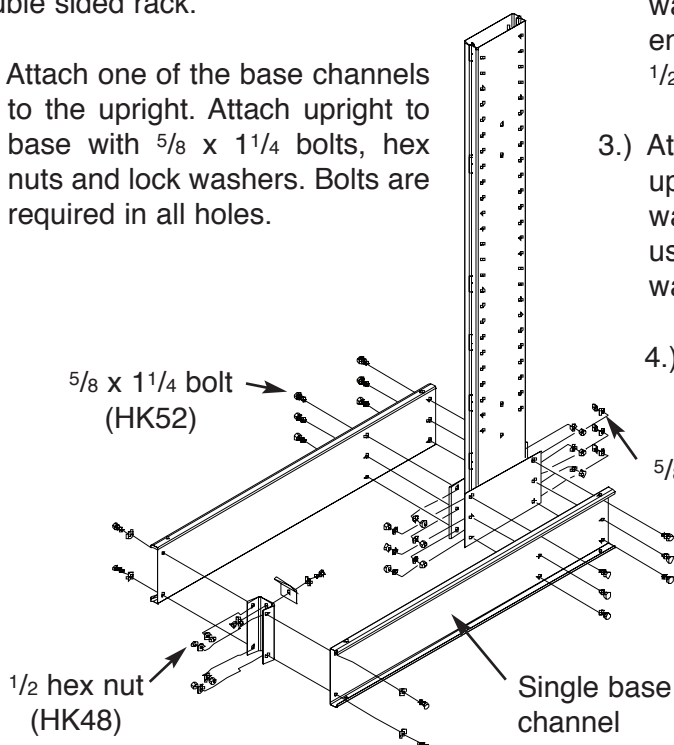


DIAGRAM A
SINGLE SIDED UPRIGHT TO
BASE CONNECTION

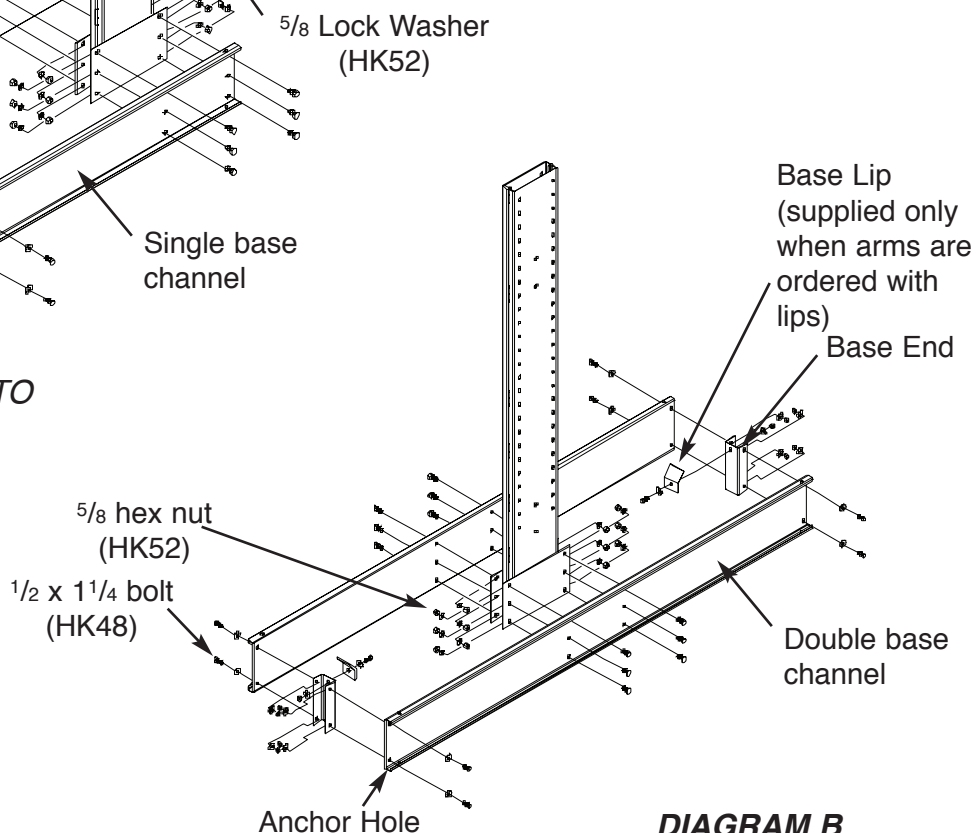


DIAGRAM B
DOUBLE SIDED UPRIGHT TO
BASE CONNECTION

IMPORTANT:
Bases must be anchored to the floor.



**INSTRUCTIONS FOR ASSEMBLING MECO OMAHA
SERIES 2000 MEDIUM - HEAVY DUTY CANTILEVER RACKS**

Attach horizontal braces to upright as shown in *DIAGRAM C* and *DIAGRAM D* using 1/2 x 4 1/2" bolts. **Finger tighten only at this time.**

8' uprights require (2) horizontal braces. See *DIAGRAM E* (page 4).

10' to 14' uprights require (3) horizontal braces. See *DIAGRAM F* (page 4).

16' to 20' uprights require (4) horizontal braces and X-braces. The X-braces are attached after the horizontal braces are assembled and before the hardware is tightened. See *DIAGRAM G* (page 4).

IMPORTANT! See note below.

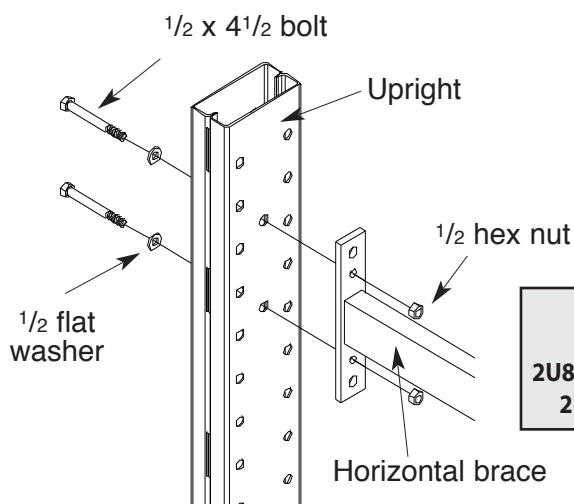


DIAGRAM C
**BRACE CONNECTION FOR
END UPRIGHTS**

HARDWARE KIT	
Upright	Part #
2U8, 2U16 - 2U20	HK21
2U10 - 2U14	HK49

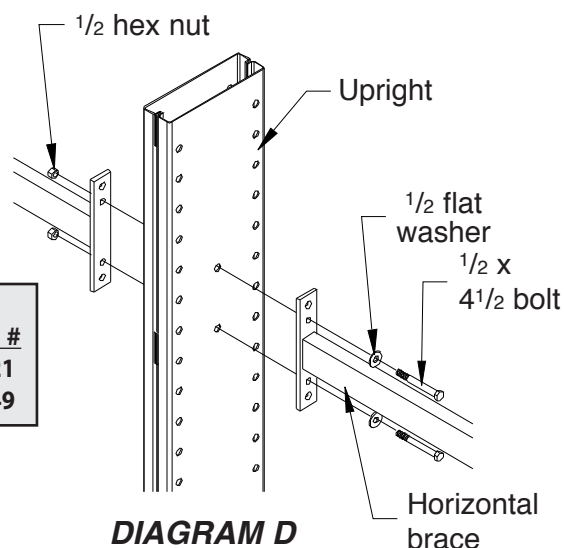


DIAGRAM D
**BRACE CONNECTION FOR
INTERIOR UPRIGHTS**

NOTE: It is important that the flat washer on the bracing for the end upright be to the outside and the nut on the inside as shown in *DIAGRAM C*.



INSTRUCTIONS FOR ASSEMBLING MECO OMAHA
 SERIES 2000 MEDIUM - HEAVY DUTY CANTILEVER RACKS

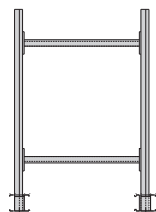


DIAGRAM E
 BRACING USED ON
 8' UPRIGHTS

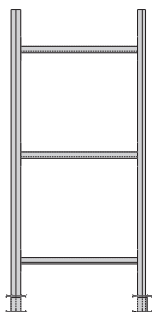


DIAGRAM F
 BRACING USED ON
 10' - 14' UPRIGHTS

See *DIAGRAM H*

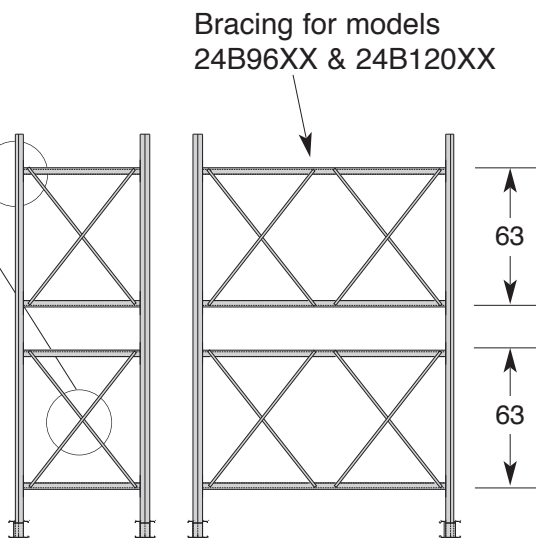


DIAGRAM G
 BRACING USED ON
 16' - 20' UPRIGHTS

Attach the X-braces to the horizontal braces using $\frac{3}{8}$ x 1 bolts and lock nuts. See *DIAGRAM H*.

After two uprights have been assembled, begin tightening hardware in the manner described in the "General Assembly Procedure" at the beginning of this booklet.

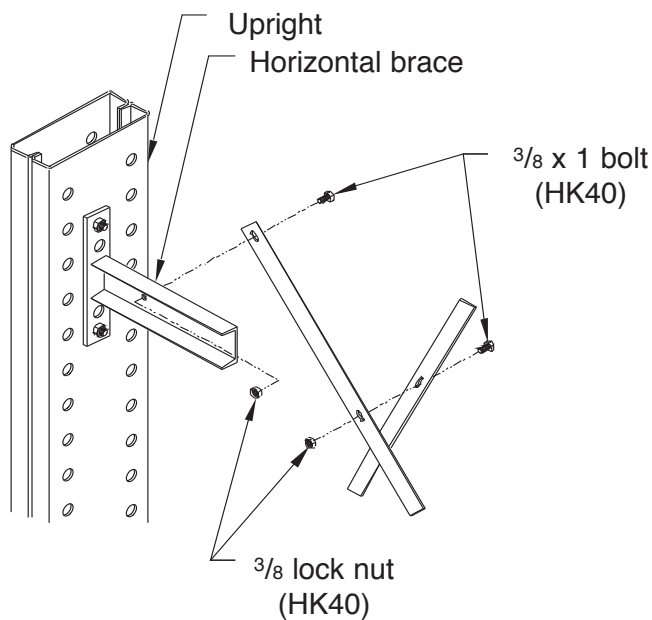
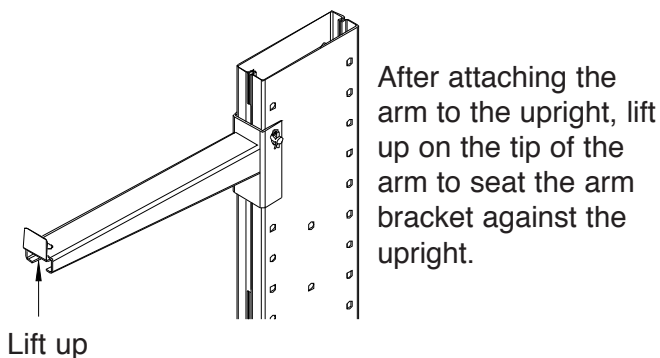
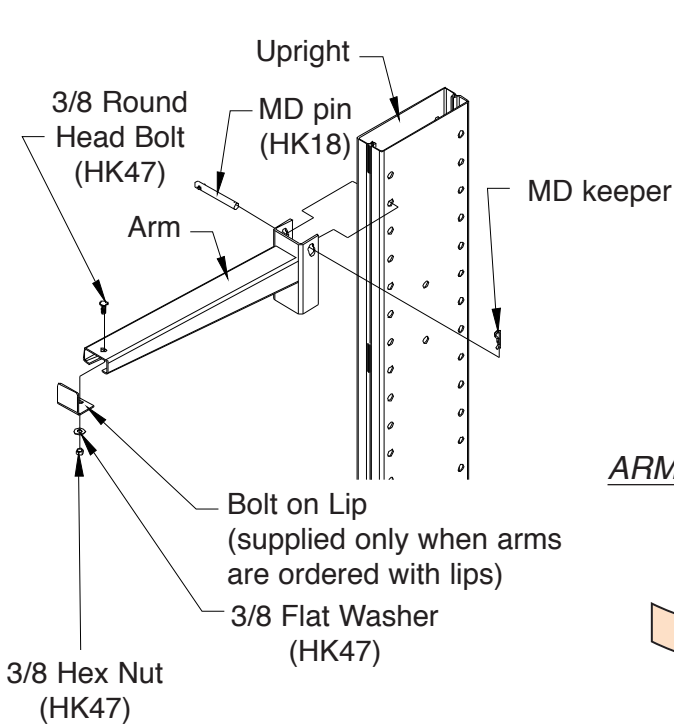


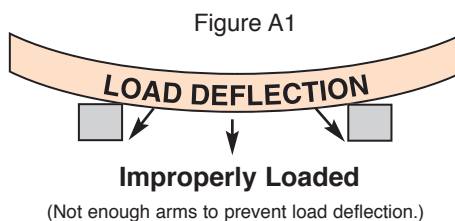
DIAGRAM H
 X-BRACE CONNECTION



INSTRUCTIONS FOR ASSEMBLING MECO OMAHA
SERIES 2000 MEDIUM - HEAVY DUTY CANTILEVER RACKS

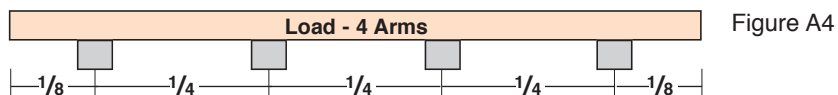
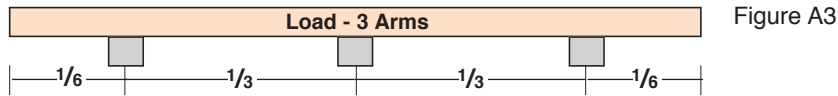
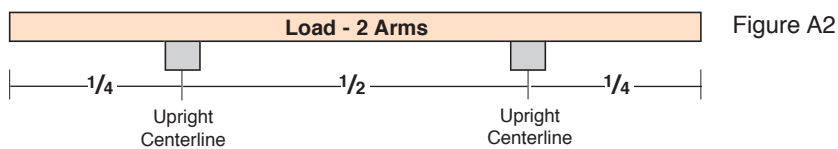


ARM TO UPRIGHT CONNECTION



The load must be supported by enough arms to prevent load deflection. Deflection may cause damage to the load being stored as well as the arms (figure A1). To detect deflection, place the load over two wooden blocks (to represent cantilever arms) as shown in figure A2. If deflection is not present it is acceptable to use a two arm system as long as this does not create an overload condition. If the load shows deflection use three blocks as shown in figure A3 or four blocks as in figure A4.

IMPORTANT: The load should overhang the end arms by one-half the distance from upright centerline to upright centerline. Failure to observe this measure may cause an overload condition on the arms.



Adhering to these guidelines will ensure that each arm supports an equal amount of the load's weight.