

260059

REPLACEMENT PARTS LIST

ITEM	PART NO.	DESCRIPTION	QTY.
1	270260	KIT: JACK, LT-02/LT-05	1
2	050734	KIT: FOOT PEDAL ASS'Y (9")	1
3	050740	KIT: RELIEF HANDLE ASS'Y (9")	1
4	050754	KIT: PUMPING RELEASE VALVE	1
* 5	052722	KIT: SEAL KIT (FOR UNITS AFTER 3/97)	1
6	108316	PEDAL RETURN SPRING	1

\*SEAL KIT FOR UNITS PRIOR 3/97 NOT AVAILABLE

FOOT PUMP HYDRAULIC LIFT TABLES

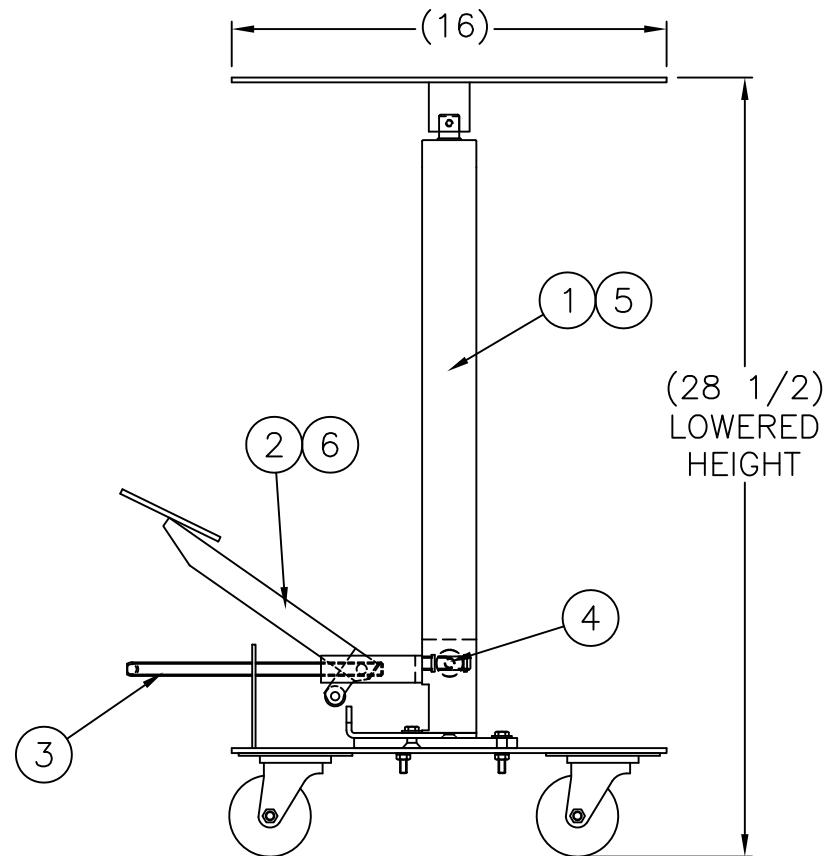
- Capacity ranges from 200 to 6,000 lbs.
- Solid steel top and base construction.
- Floor locks are standard on all 500+ lbs capacity tables.
- Casters provide easy mobility.

STANDARD DUTY TABLES

- LT-02-1616 has four 3" polyolefin swivel casters.
- LT-02-1616 ships viz UPS knocked down.
- LT-05/LT-10 models feature 2 rigid and 2 swivel 4" phenolic resin roller bearing casters.
- 7 gauge steel top and base.
- 3/8" lift per stroke.

P/N 260059

Model: LT-02-1616  
 Weight: 54 lbs  
 Table Size: 16" x 16"  
 Lowered Height: 28.5"  
 Raised Height: 46"  
 Support Posts: None  
 Caster Size: 3"  
 Capacity: 200 lbs



THIS DRAWING IN ALL PARTICULARS IS WESCO INDUSTRIAL PRODUCTS INC. PROPERTY. ALL RIGHTS OF DESIGN, INVENTION OR USE OF ARE RESERVED.

PRINT ISSUED

OCT 23, 2006

WESCO MANUFACTURING  
 ENGINEERING DEPARTMENT

APP	WESCO INDUSTRIAL PRODUCTS INC.	
	NORTH WALES	PENNA. 19454
ECN & DATE	PART NAME	LT-02-1616
	TOLERANCE UNLESS OTHERWISE SPECIFIED	
REVISIONS	FRACTION	3 PLACE DECIMAL 2 PLACE DECIMAL
		± 1/64 ± .005 ± .01
	ANGULAR	± 1-1/2° SHEET 1 OF 1
	BREAK ALL SHARP EDGES AND REMOVE ALL BURRS	
REV.	SCALE:	C-260059 REV